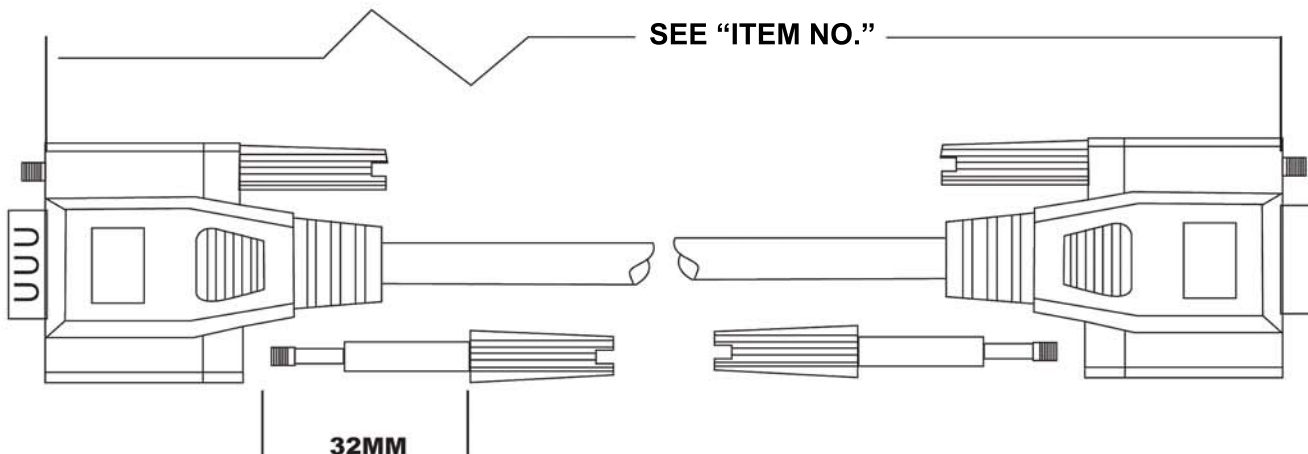
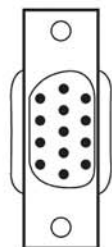
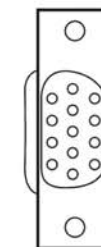


HD15 Male



HD15 Female



Material:

- 1.Cable: #28 14C+1+AL/MY (Beige PVC Jacket) O.D:6.0MM
- 2. Both connectors with normal type
HD15 Male the 9th PIN is empty
- 3.Thumbscrew: #4-40UNC Type
- 4.All over Molded with Beige PVC

Notes:

- 1.Total Length: **SEE "ITEM NO."**
- 2.Color: Beige
- 3.Molded Type

Configuration:

HD15M	HD15F
1	1
2	2
3	3
4	4
5	5
6	6
7	7
8	8
10	10
11	11
12	12
13	13
14	14
15	15
Shield	Shield



<i>ITEM NO</i>	AK322-2-R (2.0 Meters) AK373-3-R (3.0 Meters) AK375-R (10.0 Meters)
<i>TITLE</i>	VGA Monitor Extension Cable, HD DSUB 15-Pin Male to HD DSUB 15-Pin Female

ASSMANN
Electronics, Inc.

1840 W. Drake Drive, Suite 101 - Tempe, AZ 85283
Toll Free: 1-877-277-6266 Email: info@usa-assmann.com

THIS DRAWING IS UNPUBLISHED
© Copyright 2008 by Assmann Electronic Components
All International Rights Reserved